



Features



DIMENSIONS : 199(L) x 99(W) x 35(H)mm
WEIGHTS: 660g

- Convection cooled
- 100% burn-in test
- MOSFET designed
- 2 years Warranty
- **Output modify range: 3V~200VDC**
- **Split rail & Series connection possible**

General specifications

INPUT

Input range	90~264VAC 127~380VDC
Input frequency	47~63Hz
Max. I/P current / Inrush current (25° C)	1.93A/20A@110VAC 1.16A/40A@220VAC

OUTPUT

Hold-up time	16mS
Short protection	Autorecovery
Overload protection	Automatic power limited
Over voltage protection	Autorecovery

Detail specifications

100 Watts

MODEL	O/P Volt Adj. ± %	Load(Current) ¹			Ripple & Noise ⁴	Line REG. ²	Load REG. ³	Efficiency ⁵	O.V.P. Trip point
		Min.	Rated	Max.					
RP1100-05FV	V1: +5V ±10%	0A	20A	20A	50mVp-p	±1%	±1%	69% Min.	6 ~ 7.5V
RP1100-08FV	V1: +8V ±10%	0A	12.5A	12.5A	80mVp-p	±1%	±1%	73% Min.	14 ~ 17V
RP1100-12FV	V1: +12V ±10%	0A	8.3A	8.3A	100mVp-p	±1%	±1%	75% Min.	14 ~ 17V
RP1100-15FV	V1: +15V ±10%	0A	6.7A	6.7A	150mVp-p	±1%	±1%	75% Min.	17 ~ 22V
● RP1100-18FV	V1: +18V ±10%	0A	5.6A	5.6A	150mVp-p	±1%	±1%	75% Min.	28 ~ 34V
● RP1100-24FV	V1: +24V ±10%	0A	4.2A	4.2A	150mVp-p	±1%	±1%	77% Min.	28 ~ 34V
● RP1100-36FV	V1: +36V ±10%	0A	2.7A	2.7A	360mVp-p	±1%	±1%	78% Min.	55 ~ 67V
● RP1100-48FV	V1: +48V ±10%	0A	2.1A	2.1A	250mVp-p	±1%	±1%	82% Min.	55 ~ 67V
RP21001FV	V1: +8V ±10% V2: +5V±10%	0A 0A	12A 0.8A	12.5A 0.8A	80mVp-p 50mVp-p	±1% ±1%	±1% ±1%	70% Min.	14 ~ 17V -----
RP21002FV	V1: +12V ±10% V2: +5V±10%	0A 0A	8A 0.8A	8A 0.8A	100mVp-p 50mVp-p	±1% ±1%	±1% ±1%	70% Min.	14 ~ 17V -----
RP21003FV	V1: +24V ±10% V2: +5V±10%	0A 0A	4A 0.8A	4A 0.8A	150mVp-p 50mVp-p	±1% ±1%	±1% ±1%	74% Min.	28 ~ 34V -----
● RP21005FV	V1: +16V ±10% V2: +5V±10%	0A 0A	6A 0.8A	6A 0.8A	150mVp-p 50mVp-p	±1% ±1%	±1% ±1%	75% Min.	28 ~ 34V -----
● RP21006FV	V1: +18V ±10% V2: +5V±10%	0A 0A	5.3A 0.8A	5.3A 0.8A	150mVp-p 50mVp-p	±1% ±1%	±1% ±1%	74% Min.	28 ~ 34V -----
● RP21008FV	V1: +12V----- V2: +5V±10%	0A 0A	7A 2A	7A 2A	150mVp-p 50mVp-p	±3% ±1%	±7% ±2%	75% Min.	14 ~ 17V -----
● RP21009FV	V1: +24V ±10% V2: +12V-----	0A 0A	3A 2A	3A 2A	100mVp-p 100mVp-p	±1% ±3%	±2% ±6%	78% Min.	28 ~ 34V -----



Detail specifications

84 Watts

MODEL	O/P Volt Adj. ± %	Load(Current) ¹			Ripple & Noise ⁴	Line REG. ²	Load REG. ³	Efficiency ⁵	O.V.P. Trip point
		Min.	Rated	Max.					
● RP20842FV	V1: +12V ±10% V2: -12V-----	0A 0A	3.5A 3.5A	4A 3.5A	100mVp-p 120mVp-p	±1% ±2%	±1% ±2%	74% Min.	15 ~ 18V -----
● RP20843FV	V1: +15V ±10% V2: -15V-----	0A 0A	2.8A 2.8A	3.5A 3A	150mVp-p 150mVp-p	±1% ±2%	±1% ±2%	76% Min.	20 ~ 24V -----

CE Standards

EN 55032, EN 55035,
EN 61000-3-3, (EN 61000-4-2,
EN 61000-4-3, EN 61000-4-4,
EN 61000-4-5, EN 61000-4-6,
EN 61000-4-8, EN 61000-4-11)
LVD: EN 62368-1

Safety Standards



UL/CUL 60950 APPROVAL



CE

Marking

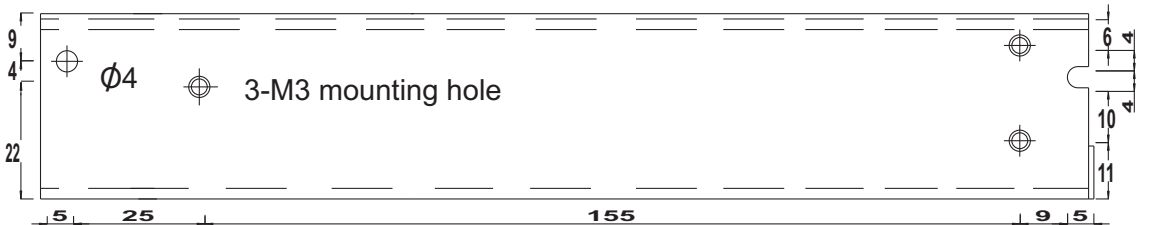
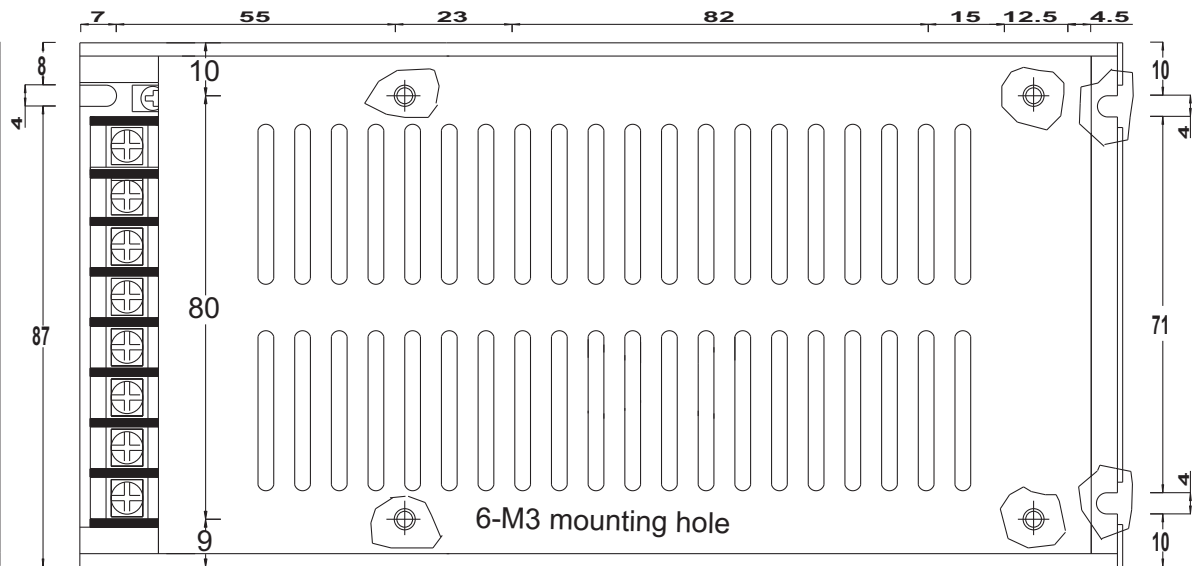
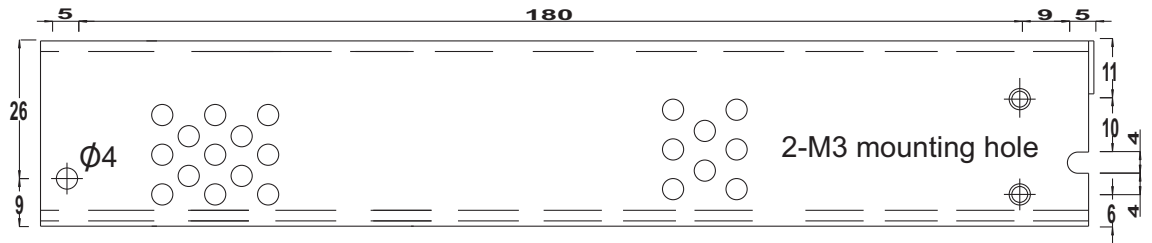
Environments

Operating Temperature	-15 ~ 50°C, Ambient
Operating Humidity	20 ~ 90% RH, No Condensing
Storage Temperature	-20 ~ 85°C, Ambient
Vibration	2G, 10~500Hz, 3 axes

- NOTE:**
- Each output can provide up to maximum load, but total load can not exceed rated output power.
 - Line regulation is measured from low line to high line at rated load.
 - Load regulation is measured from 20% to 100% of rated load at 220VAC input.
 - Ripple & Noise are measured with 20MHz oscilloscope at 220VAC by using a 20cm long 12" twisted pair-wire with a 0.1uF/630V metal capacitor & a 47uF electrolytic capacitor parallel on the test point.
 - Efficiency is measured at rated load and 220VAC input.
 - Hold-up time is measured at rated load and 220VAC input.
 - With ● are non-safety approval.
 - Output Voltage Adjustable is measured on 5% of rated load.
 - Reign Power reserve the right to change specifications at any time without notice.



Mechanical Details



CASE NO. : CS100

UNIT : mm

DIMENSIONS : 199(L) x 99(W) x 35(H)

Panel Designation

PCB Barrier Terminal Block

Pin	Single	Dual	Triple	Description
1	L	L	L	L : Line Terminal of Input N : Neutral Terminal of Input
2	N	N	N	
3	FG	FG	FG	FG : Ground (Earth) No Polarity At DC Input
4	NC	V2	V3	NC : No connection G : DC Output Ground Terminal
5,6	G	G	V2	
7,8	V1	V1	G	Vx : DC Output Terminal (Specify at spec.)