



All the patents are held accountable counterfeiting.

Features



Green Power

- Din Rail / Screw Mounting Dual Purpose
- Easy mounting (one-step installation)
- " Output Voltage Monitor " Display
- Fan speed control
- 100% burn-in test
- 2 years warranty
- Output modify range: 3V~200VDC

DIMENSIONS:100(H)*110(D)*60(W)mm

WEIGHTS: 550g

General specifications

INPUT

Input range 90~132/180~264VAC(Selectable)
220~380VDC
Input frequency 47~63Hz
Inrush current (25°C) 20A/110VAC
40A/220VAC

OUTPUT

Hold-up time 10ms
Short protection Autorecovery
Over load protection Automatic power limited
Optional 5V/3A AUX output
for models which output voltage lower than 40VDC

Detail specifications

350 Watts

MODEL	O/P Volt Adj. ± %	Load(Current) ¹			Ripple & Noise ⁴	Line REG. ²	Load REG. ³	Efficiency ⁵	O.V.P
		Min.	Rated	Max.					
LP1350D-12M	V : +12V ±10%	0A	29.17A	29.17A	120mV	±1%	±2%	84% Ref.	17.1 ~ 18.9V
LP1350D-24M	V : +24V ±10%	0A	14.6A	14.6A	240mV	±1%	±2%	85% Ref.	31.4 ~ 34.7V
LP1350D-36M	V : +36V ±10%	0A	9.72A	9.72A	360mV	±1%	±2%	85% Ref.	47.8 ~ 53.2V

Please Choose Fit Function,And Fill In The Blank With Suitable Words.

Order Model:LP1350D-24M

Optional Function:

Terminal Block: " " : PCB Barrier Terminal Block

Monitor: " " : No Monitor

"D" : Monitor Display

Type: " " : No Display Function

"A" : Output Voltage Display

CE Standards

EN 55032, EN 55035,
EN 61000-3-3, (EN 61000-4-2,
EN 61000-4-3, EN 61000-4-4,
EN 61000-4-5, EN 61000-4-6,
EN 61000-4-8, EN 61000-4-11)
LVD: EN 62368-1

Safety Standards



UL 508 Meet



CE Marking

Environments

Operating Temperature -15 ~ 50°C, Ambient
Operating Humidity 20 ~ 90% RH, No Condensing
Storage Temperature -20 ~ 85°C, Ambient
Vibration 2G, 10~500Hz, 3 axes



All the patents are held accountable counterfeiting.

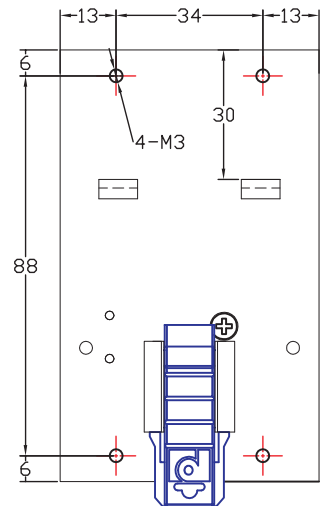
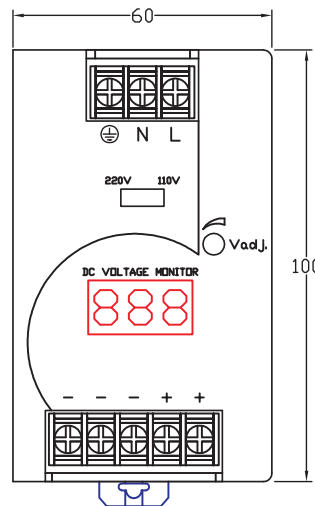
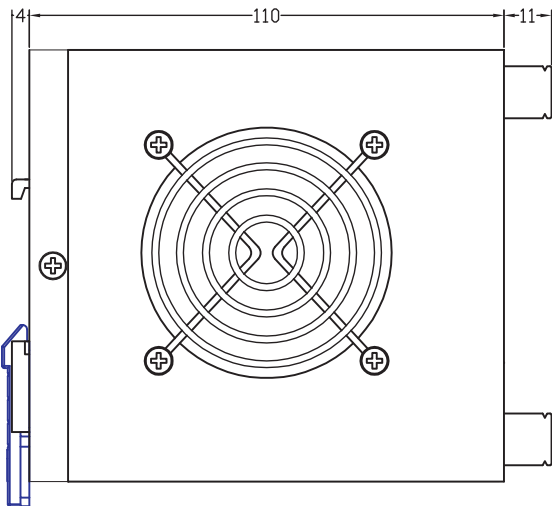
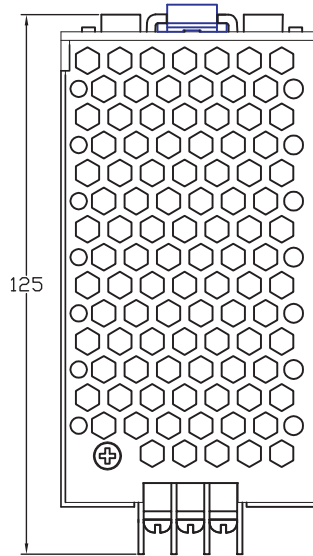
NOTE

1. Each output can provide up to maximum load, but total load can not exceed rated output power.
2. Line regulation is measured from low line to high line at rated load.
3. Load regulation is measured from 20% to 100% of rated load at 220VAC input.
4. Ripple & Noise are measured with 20MHz oscilloscope at 220VAC by using a 20cm long 12" twisted pair-wire with a 0.1uF/630V metal capacitor & a 47uF electrolytic capacitor parallel on the test point.
5. Efficiency is measured at rated load and 220VAC input.
6. Hold-up time is measured at rated load and 220VAC input.
7. Output Voltage Adjustable is measured on 5% of rated load.
8. The product uses metal enclosure for cooling. To ensure product lifespan, a clearance of at least 1 cm at the side of the product, 2 cm at top and bottom of the product should be maintained when installing.
9. Reign Power reserve the right to change specifications at any time without notice.



All the patents are held accountable counterfeiting.

Mechanical Details



Panel Designation

CASE NO. : CS060DR
UNIT : mm
DIMENSION : 100(H)*110(D)*60(W)
MATERIAL : ALUMINUM
COLOR : ORIGINAL ALUMINUM

Symbol	Description
L	Line Terminal Of AC Input (No Polarity At DC Input)
N	Neutral Terminal Of AC Input (No Polarity At DC Input)
⊕	Grounding (Earth)
+	DC Positive Output Terminal
-	DC Negative Output Terminal
DC Voltage Monitor	Display Output Voltage
V adj.	Potentiometer For Output Voltage



All the patents are held accountable counterfeiting.

Circuit Block Diagram

Oscillation frequency: 68KHz

