



All the patents are held accountable counterfeiting.

Features



- Terminal block that designed for AC control circuits
- Terminal block with two fuses which can also be used for short circuit protection
- Power indicator LED and warning LED when fuse is open
- Three-in-one function of breakout terminal block, fuse and power filter

DIMENSIONS: 80(H)*56(D)*55(W)mm

WEIGHTS: 117g

General specifications

INPUT

Input range	220VAC
Input frequency	50~60Hz

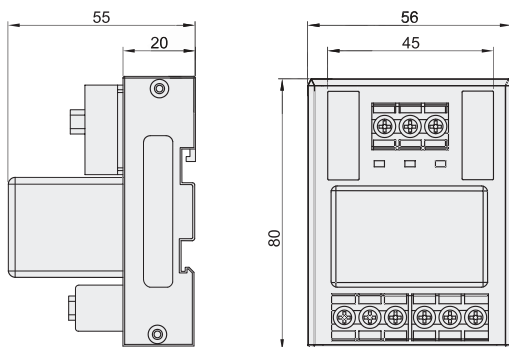
Detail specifications

MODEL	Load (Rated Current)
16-ZHN01-10	10A
16-ZHN01-20	20A

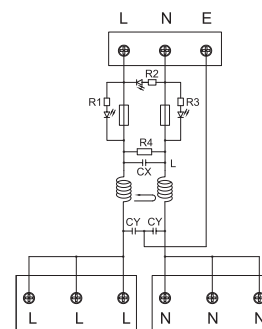
Environments

Operating Temperature	-15 ~ 50°C, Ambient
Operating Humidity	20 ~ 90% RH, No Condensing
Storage Temperature	-20 ~ 85°C, Ambient
Vibration	2G, 10~500Hz, 3 axes

Mechanical details



Wiring diagram



NOTE

1. Reign Power reserve the right to change specifications at any time without notice.